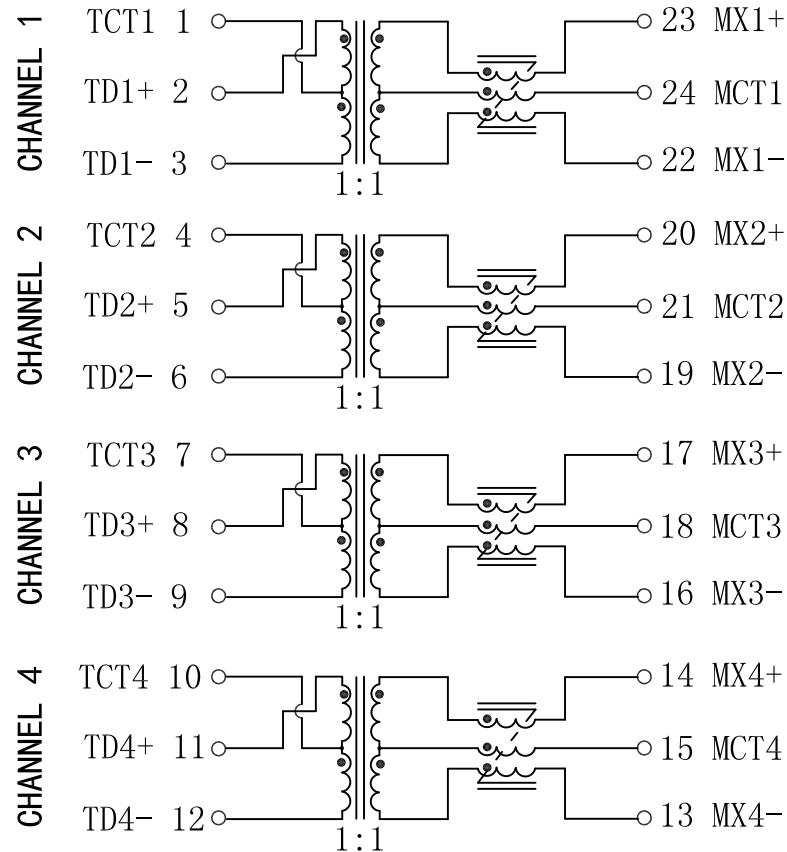


Schematic:

REV.	ECN NO.	DESCRIPTION	DATE	APPD
A	REL		2013/11/20	



Electrical Specification @25°C

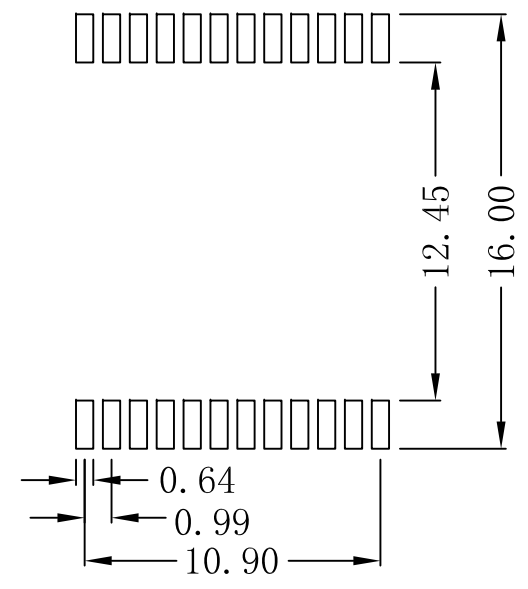
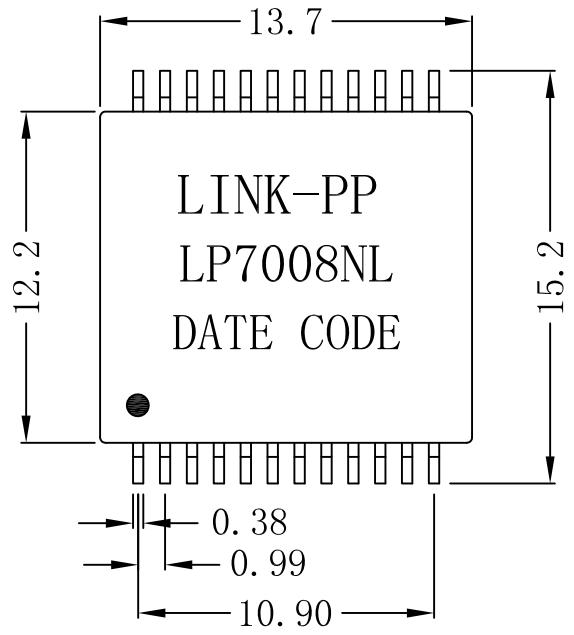
- Turns Ratio: 1.00 ±2%
- Inductance(OCL):
200uH Min @100KHz, 100mV
- Insertion Loss:
100KHz:-3.0dB Max
1-500MHz:-1.0dB Max(-0.6 dB TYP)
- Return Loss(Z OUT = 100 OHM ±1%):
1-40MHz:-18dB Min
40-500MHz:-17+10*LOG(f/40)
- Crosstalk:
1-100MHz:-40dB Min
100-500MHz:-30dB Min
- Common Mode Rejection Ratio:
1-100MHz:-35dB Min
100-300MHz:-30dB Min
3600-500MHz:-25dB Min
- Common to Differential Mode Rejection:
1-250MHz:-30dB Min
250-500MHz:-22dB Min
- Hipot: 1500Vrms MIN
- Operating Temperature: 0°C ~70°C.



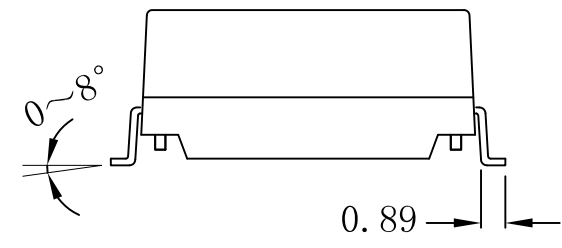
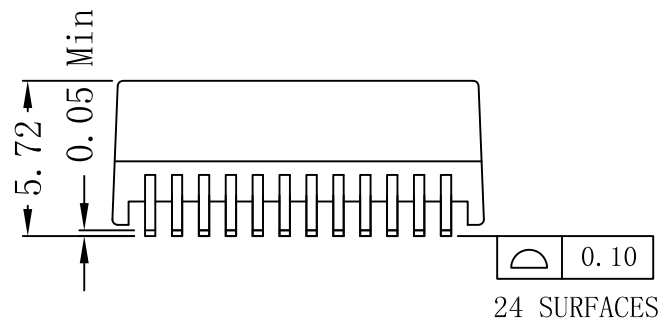
X:X	±0.20	APPD:	LINK-PP	
X:XX	±0.10	CHKD:	LINK-PP INT'L TECHNOLOGY CO., LIMITED	
X:XXX	±0.05	DR: TOM	TITLE: 10GBase-T Magnetic Modules	
ANGLES	±1°	UNIT: mm	PART NO.: LP7008NL	
	SCALE: 2/1	SHEET: 1/2	REV: A	DWG NO.: LP13112001

Mechanical :

REV.	ECN NO.	DESCRIPTION	DATE	APPD
A	REL		2013/11/20	



SUGGESTED PAD LAYOUT



NOTES:

1. Designed to Support 10GBASE-T Transceivers
2. Compliant with IEEE 802.3 standard
3. Qualified with top 10Gig PHY Manufacturers
4. RoHS peak reflow temperature rating 245°C
5. Low profile package for PCI Express
6. Fine-tuned magnetics to specific PHY vendors

X:X	±0.20	APPD:	LINK-PP	
X:XX	±0.10	CHKD:	LINK-PP INT'L TECHNOLOGY CO., LIMITED	
X:XXX	±0.05	DR: TOM	TITLE: 10GBase-T Magnetic Modules	
ANGLES	±1°	UNIT: mm	PART NO.: LP7008NL	
	SCALE: 2/1	SHEET: 2/2	REV: A	DWG NO.: LP13112001