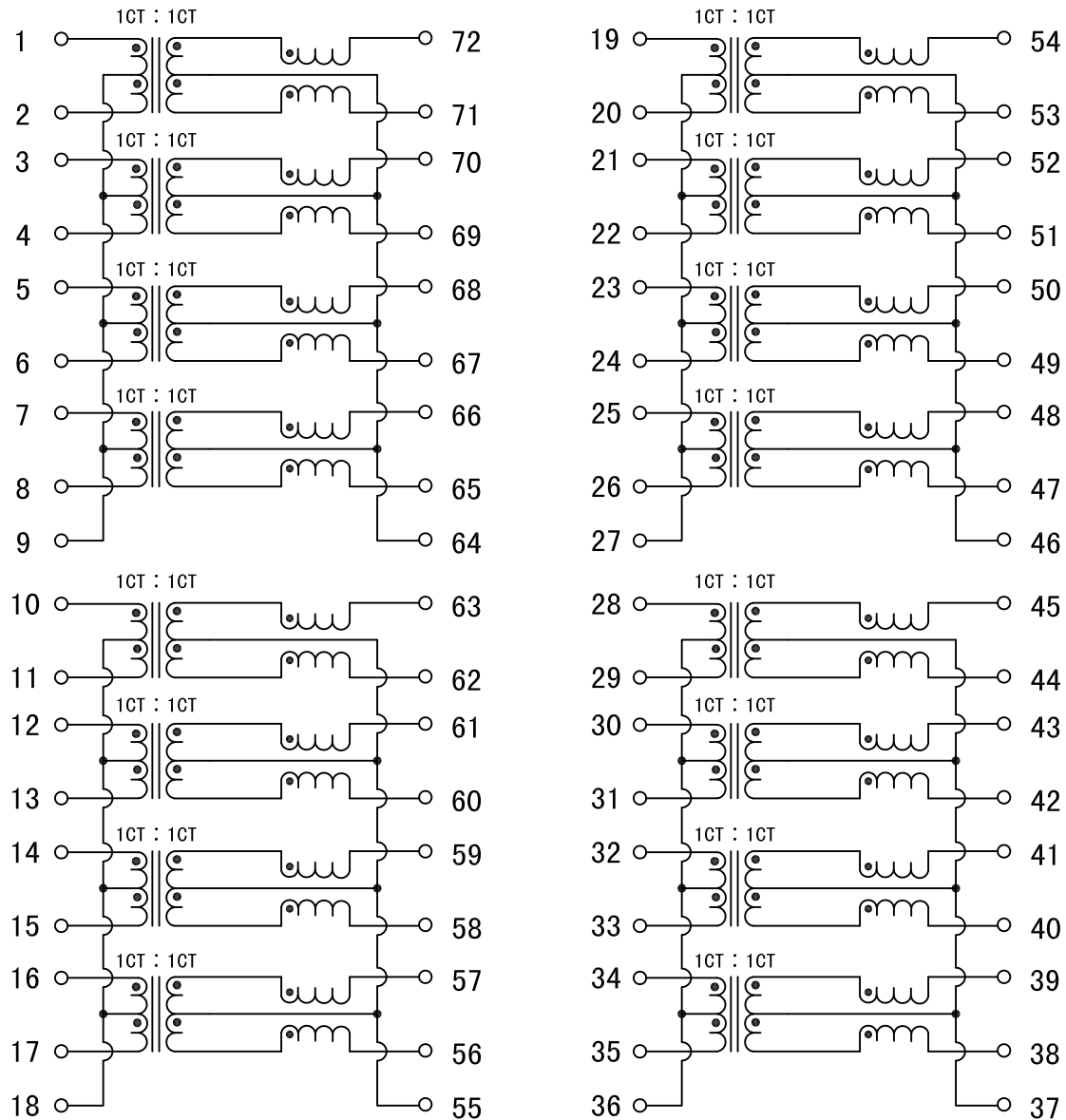


Schematic:

REV.	ECN NO.	DESCRIPTION	DATE	APPD
A	REL		2010/08/20	



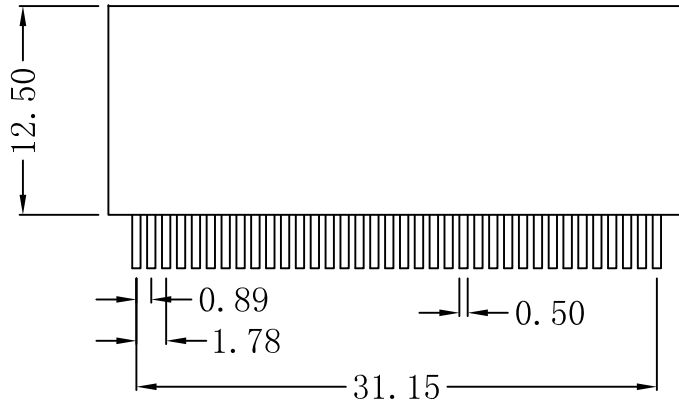
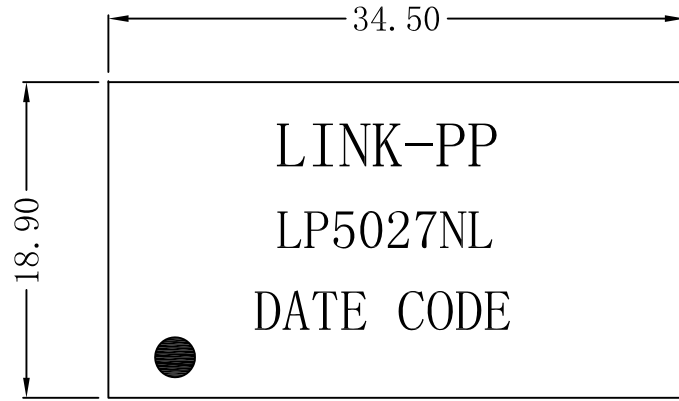
Electrical Specifications @25°C

- Pri Inductance:
350uH Min @100KHz, 0.1V, 8mA.
- Leakage Inductance:
0.5uH Max @100KHz, 0.1V.
- DCR: 0.9Ω Max.
- Turns Ratio:
1CT:1CT ±5%
- Insertion Loss:
0.1-100MHz:-1.0dB Max
- Return Loss(dB Min):
1-30MHz:-18 40-50MHz:-14.2
60-80MHz:-12
- Crosstalk(dB Min):
30MHz:-40 60MHz:-35
100MHz:-30
- Hipot: 1500Vrms/1mA
- Operating Temperature: 0~+70°C.



X:X	±0.20	APPD:	LINK-PP INT'L TECHNOLOGY CO., LIMITED	
X:XX	±0.10	CHKD:		
X:XXX	±0.05	DR: Frank	Title: 1000Base-TX 1×4 Port Transformer Modules	
ANGLES	±1°	UNIT: mm	PART NO.: LP5027NL	
	SCALE: 2/1	SHEET: 1/2	REV: A	DWG NO.: LP10082002

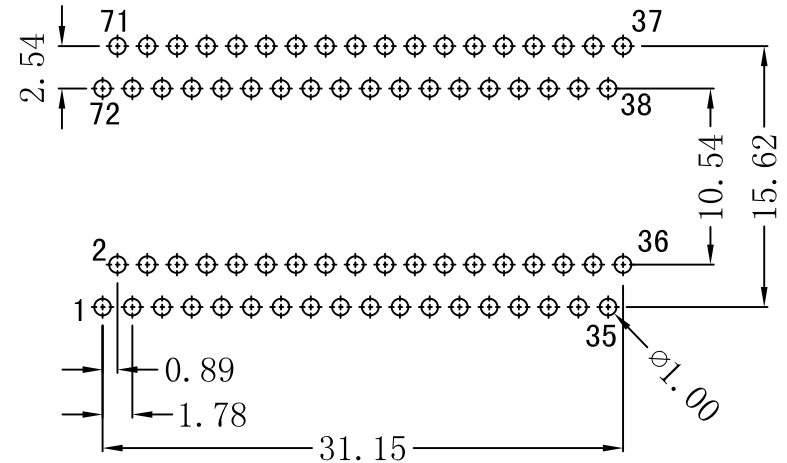
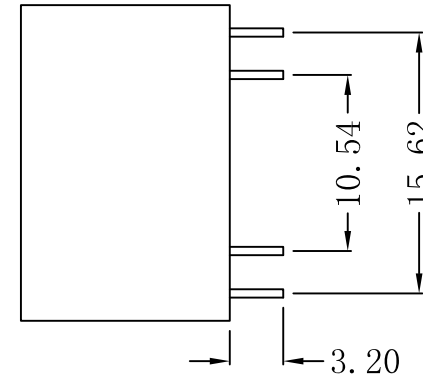
Mechanical:



NOTES:

1. Designed to support application, such as SOHO (ADSL modems), LAN-on-Motherboard (LOM), hub and Switches.
2. With various Turns Ratios.
3. Meets all IEEE Standards including 350uH OCL with 8mA bias current.
4. RoHS "NL" peak solder rating 245°C.

REV.	ECN NO.	DESCRIPTION	DATE	APPD
A	REL		2010/08/20	



SUGGESTED PAD LAYOUT

X:X	±0.20	APPD:	LINK-PP INT'L TECHNOLOGY CO., LIMITED	
X:XX	±0.10	CHKD:		
X:XXX	±0.05	DR: Frank	Title: 1000Base-TX 1×4 Port Transformer Modules	
ANGLES	±1°	UNIT: mm	PART NO.: LP5027NL	
	SCALE: 2/1	SHEET: 2/2	REV: A	DWG NO.: LP10082002