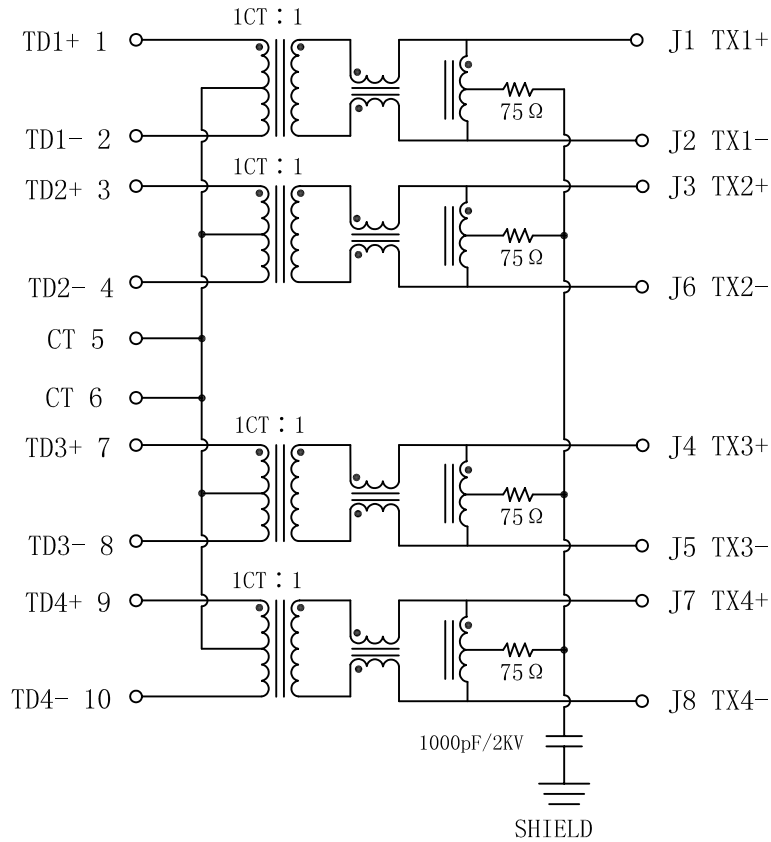


Schematic:

REV.	ECN NO.	DESCRIPTION	DATE	APPD
A	REL		2011/08/01	

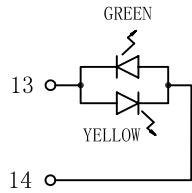
PCB SIDE TO PHY



CABLE SIDE

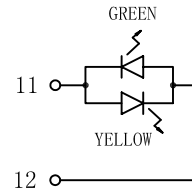
Electrical Specifications @25°C

1. OCL: 350uH MIN
@100KHz, 0.1V, 8mA DC Bias.
2. Insertion Loss:
1~100MHz: -1.0dB MAX
3. Return Loss:
1~30MHz: -18dB MIN. load 100 Ω
30~60MHz: -16dB MIN. load 100 Ω
60~80MHz: -12dB MIN. load 100 Ω
60~100MHz: -10dB MIN. load 100 Ω
4. Cross Talk:
1~100MHz: -30dB MIN
5. Common Mode Rejection:
1~100MHz: -30dB MIN
6. HiPot Test: 1500Vrms MIN
7. Operating Temperature: 0°C TO +70°C.



LEFT LED

LED POLARITY		COLOR
PIN 13	PIN 14	
+	-	YELLOW
-	+	GREEN



RIGHT LED

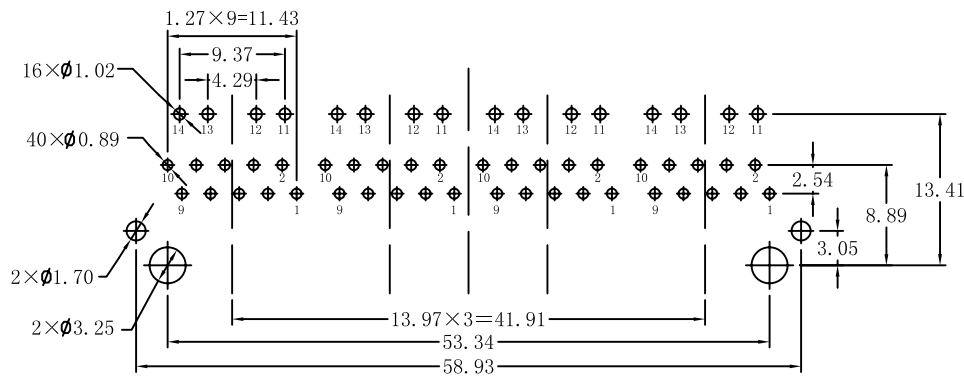
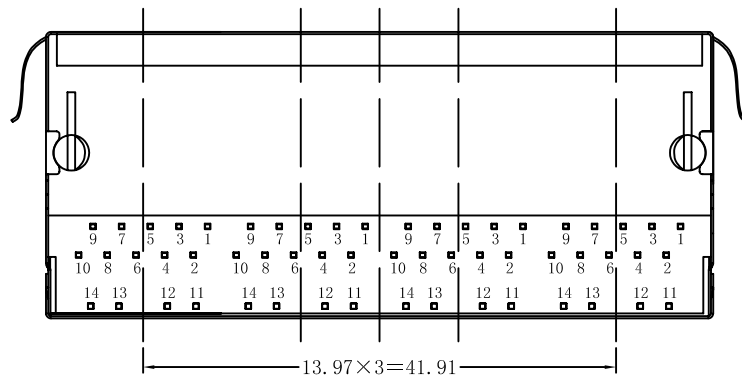
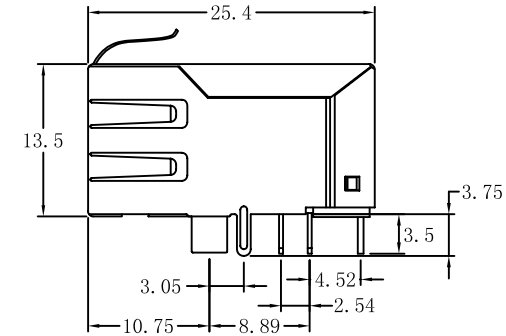
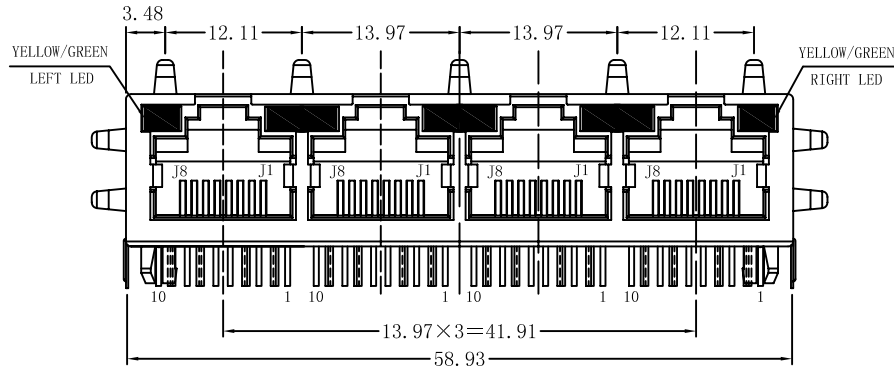
LED POLARITY		COLOR
PIN 11	PIN 12	
+	-	YELLOW
-	+	GREEN



X:X ±0.25	APPD:	LINK-PP INT'L TECHNOLOGY CO., LIMITED
X:XX ±0.20	CHKD:	
X:XXX ±0.05	DR: TOM	TITLE: RJ45 1×4 Connector with 1000 Base-T Integrated Magnetics
ANGLES ±1°	UNIT: mm	PART NO. : LPJG47305A47NL
	SCALE: 2/1	SHEET: 1/2
	REV: A	DWG NO. : LP11080103

Mechanical:

REV.	ECN NO.	DESCRIPTION	DATE	APPD
A	REL		2011/08/01	



SUGGESTED PCB LAYOUT (TOP VIEW)

NOTES:

1. Designed to support application, such as SOHO (ADSL modems), LAN-on-Motherboard (LOM), hub and Switches.
2. Meets IEEE 802.3 specification
3. Connector Materials:
 Housing: Thermoplastic UL94V-0
 Contact/Shield: Copper alloy
 Shield plating: Nickel
 Contact plating: Gold 6 micro-inches min. In contact area.
4. Wave solder tip temperature: 265°C Max.
 Wave solder tip temperature time: 5 Sec Max



X:X ±0.25	APPD:	LINK-PP INT'L TECHNOLOGY CO., LIMITED
X:XX ±0.20	CHKD:	
X:XXX ±0.05	DR: TOM	TITLE: RJ45 1×4 Connector with 1000 Base-T Integrated Magnetics
ANGLES ±1°	UNIT: mm	PART NO.: LPJG47305A47NL
	SCALE: 2/1	SHEET: 2/2
	REV: A	DWG NO.: LP11080103